

MOCK TEST - 1

Q1.

- 1 inch equals to
 - a) 2.54 cm
 - b) 5 cm
 - c) 20 mm
 - d) 15.67 mm

Q2.

- 1:6 Mortar represents
 - a. 1 part water , 6 part cement
 - b. 1 part cement, 6 part water
 - c. 1 part sand, 6 part cement
 - d. 1 part cement , 6 part sand

Q3.

- How many A2 sheets can be cut from A0 sheet
 - a) 5
 - b) 4
 - c) 16
 - d) 8

Q4.

- City of Ahmedabad was designed by
 - a) I.M Pie
 - b) B.V Doshi
 - c) Kanvinde
 - d) Le Corbursier

Q5.

- Floors X and Y are equal in area . If X is 12 feet x 8 feet and width of Y is 6 feet , find length of Y.
- a) 16 feet
 - b) 12 feet
 - c) 8 feet
 - d) 15 feet

Q 6.

□ $0.1 + (0.1)^2 + (0.1)^3$

□ a) 0.1

□ b) 0.121

□ c) 0.111

□ d) 0.2341

Q7.



Identify the building

- a) Sydney Opera House
- b) Bahai house of worship
- c) Guggenheim Museum
- d) Temple of Kornak

Q8.

□ Blobitecture is

▣ a) 1st Century Architecture style

▣ b) 15th Century Architecture style

▣ c) 20th Century Architecture style

▣ d) Not an Architecture style

Q9.

□ Blue is a

□ a) Hot Colour

□ b) Cool Colour

□ c) Secondary Colour

□ d) Neutral Colour

Q 10.

- Which of the following is a complimentary colour scheme?
 - ▣ a) Green - Yellow
 - ▣ b) Blue – red
 - ▣ c) Yellow – Black
 - ▣ d) Red – Green

Q 11.

- When $1/10$ percent of 5000 is subtracted from $1/10$ of 5000, the difference is
 - a) 0
 - b) 50
 - c) 495
 - d) 500

Q 12.

- Curtain walls represent
 - ▣ a) Fabric Walls
 - ▣ b) Glass Screens
 - ▣ c) Brick Walls
 - ▣ d) Concrete Walls

Q 13.

- A Focal point is
 - ▣ a) A point in the centre of a drawing
 - ▣ b) A point in a corner of a drawing
 - ▣ c) A point within a circle
 - ▣ d) Centre of interest in a drawing

Q 14.

- Gol Gumbaz is a
 - ▣ a) Mosque
 - ▣ b) Mausoleum
 - ▣ c) Museum
 - ▣ d) Monastery

Q 15.



Identify the texture:

- a) Particle board
- b) Marble
- c) Granite
- d) Sand

Q 16.

- A Carpenter a constructed a rectangle sandbox with a capacity of 10 cubic feet, if he had to make a similar box, twice as long, twice as wide and twice as high as the first sand box, what would be the capacity in cubic feet of the second sand box?
 - ▣ a) 20
 - ▣ b) 40
 - ▣ c) 80
 - ▣ d) 1000

Q 17.



Identify this building.....

- a) Jahangir Mahal,
Orchha
- b) Amber Palace,
Rajasthan
- c) Man Mandir, Gwalior
- d) Akbar Palace,
Fatehpur

Q 18.

- The Average height of an India male is?
 - ▣ a) 5 feet 6 inches
 - ▣ b) 6 feet 2 inches
 - ▣ c) 5 feet 3 inches
 - ▣ d) 4 feet 8 inches

Q 19.

- KanchanJunga Apartments are designed by
 - ▣ a) B V Doshi
 - ▣ b) Le-Carbusior
 - ▣ c) Charles Correa
 - ▣ d) Edwin Lutyens

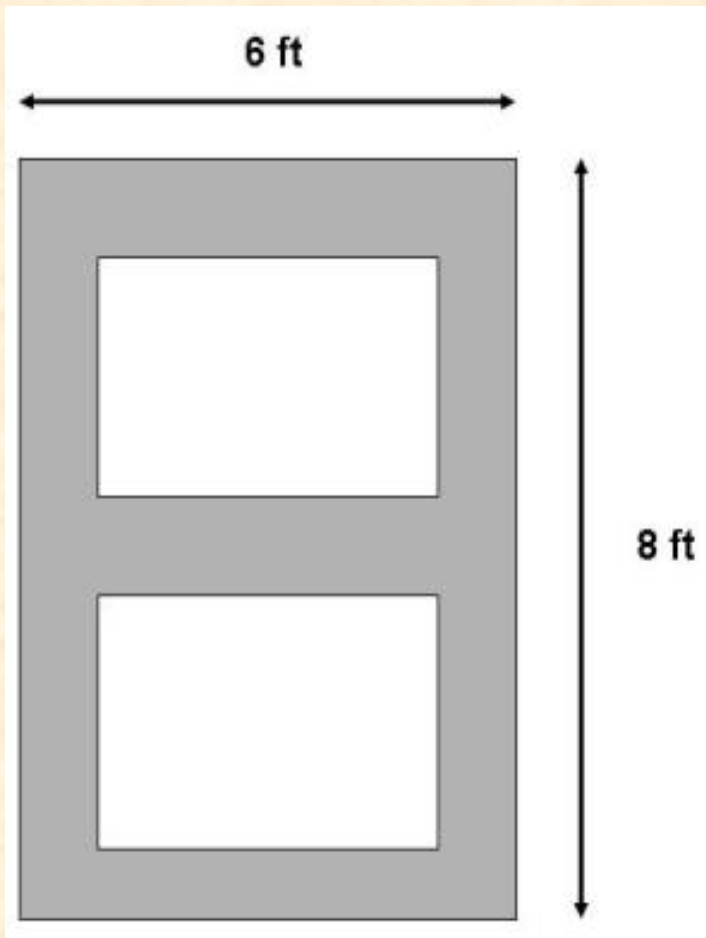
Q 20.

- Obelisk is a
 - ▣ a) Tall, Slender Building
 - ▣ b) Tall Slender Tower
 - ▣ c) Short Fat building
 - ▣ d) Short Fat Tower

Q 21.

- 150 is what percent of 30?
 - ▣ a) 20%
 - ▣ b) 50%
 - ▣ c) 200%
 - ▣ d) 500%

Q 22.



The Front of a 6 X 8 foot rectangular door has a trim as indicated by the shading in the diagram, if the trim was uniformly 1 foot wide, what fraction of the door surface is covered by the trim.

- a) $13/48$
- b) $5/12$
- c) $7/12$
- d) $1/2$

Q 23.



Identify the structure in the picture

- a) Big Ben London
- b) Time Tower NY
- c) Sears Towers, NY
- d) Rajabai Tower, Mumbai

Q 24.

- **When you stand between the railway tracks and observe the Railway Track over the horizon it gives a**
 - ▣ a) One Point Perspective Effect
 - ▣ b) Two Point Perspective Effect
 - ▣ c) Three Point Perspective Effect
 - ▣ d) None of the above

Q 25.

Which of the following pencil leads is the Softest?

a) 3H

b) HB

c) F

d) 3B

Q 26.

☐ Sun Temple is located in

☐ a) Sanchi

☐ b) Mahabalipuram

☐ c) Konark

☐ d) Nalanda

Q 27.

The Sphinx is located in

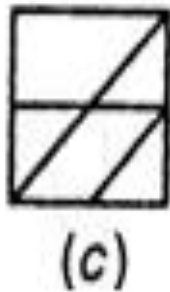
a) Paris

b) Lebanon

c) Syria

d) Giza

Q 28.



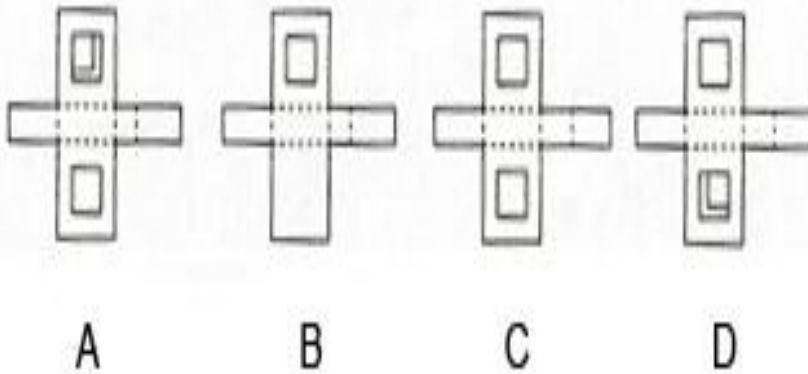
Identify the piece that fits:

- a) A
- b) B
- c) C
- d) D

Q 29.



Which is the development for the model shown?



A

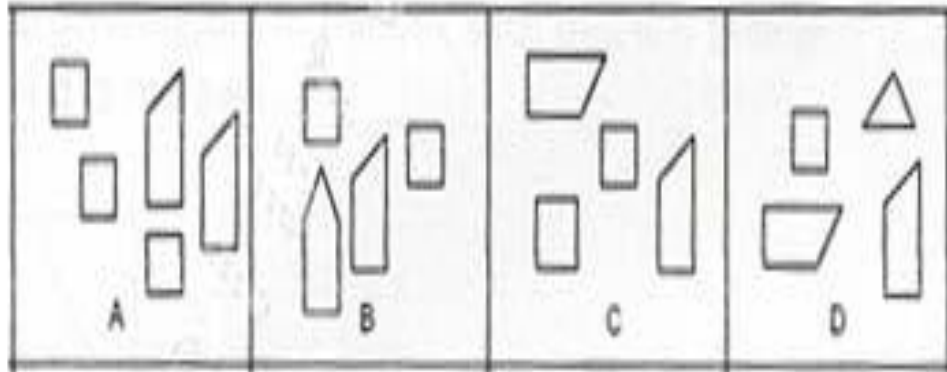
B

C

D

- a) A
- b) B
- c) C
- d) D

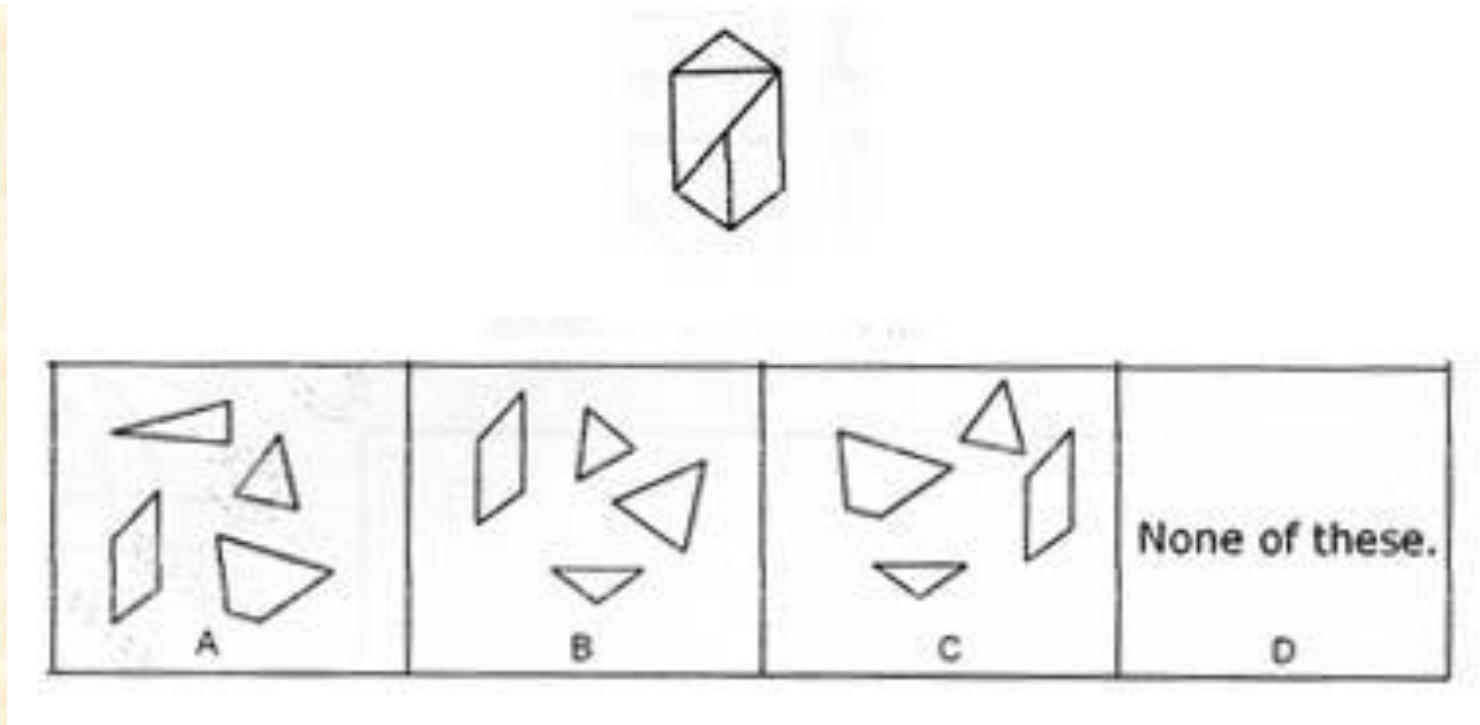
Q 30.



A Group of pieces on the bottom when joined form the one on the top, identify the set.

- a) A
- b) B
- c) C
- d) D

Q 31.



A Group of pieces at the bottom when joined, from the group on the top, identify the group.

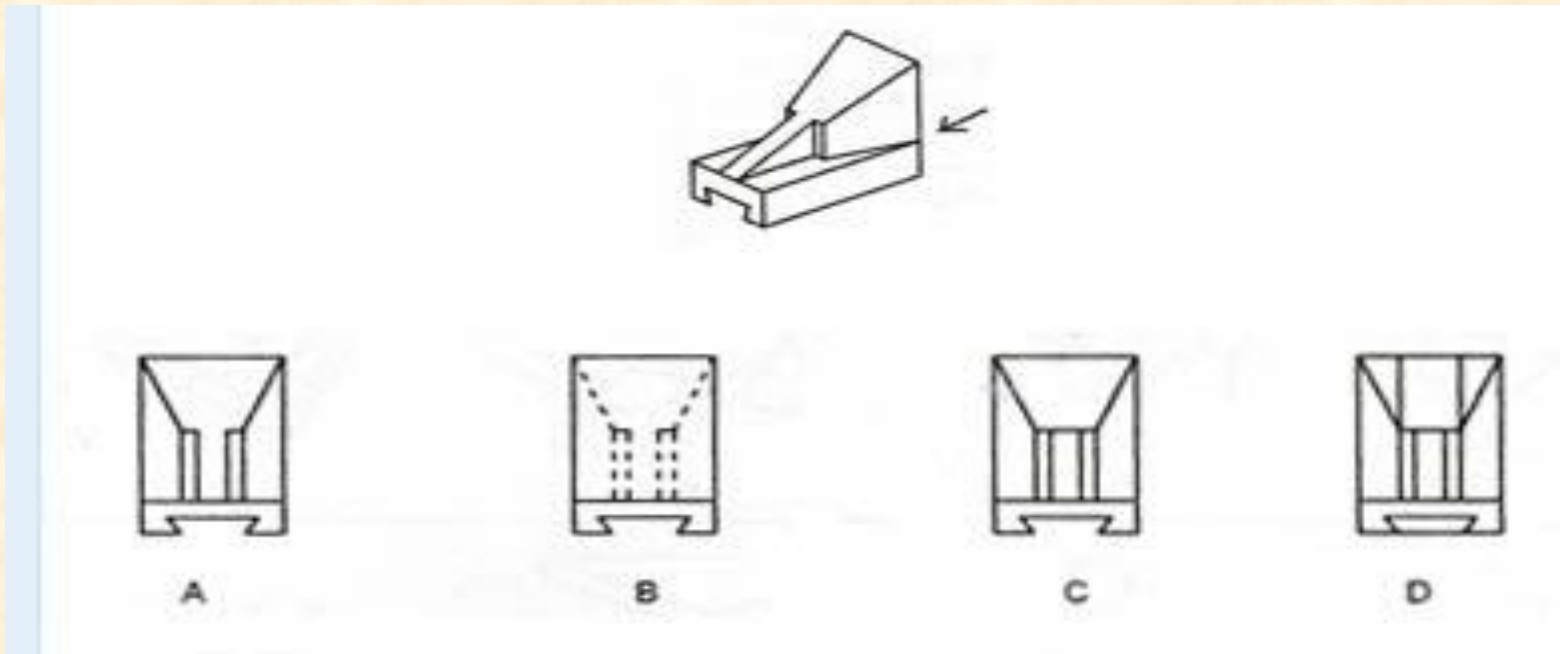
a) A

b) B

c) C

d) D

Q 32.



Identify the correct elevation as indicated by the arrow.

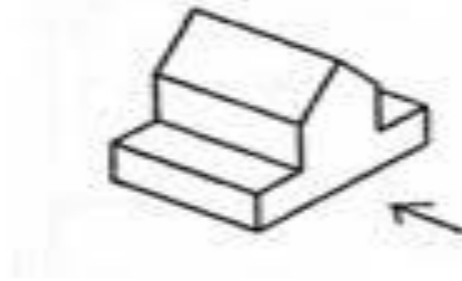
a) A

b) B

c) C

d) D

Q 33.



A



B



C



D

Identify the elevation as indicated by the arrow.

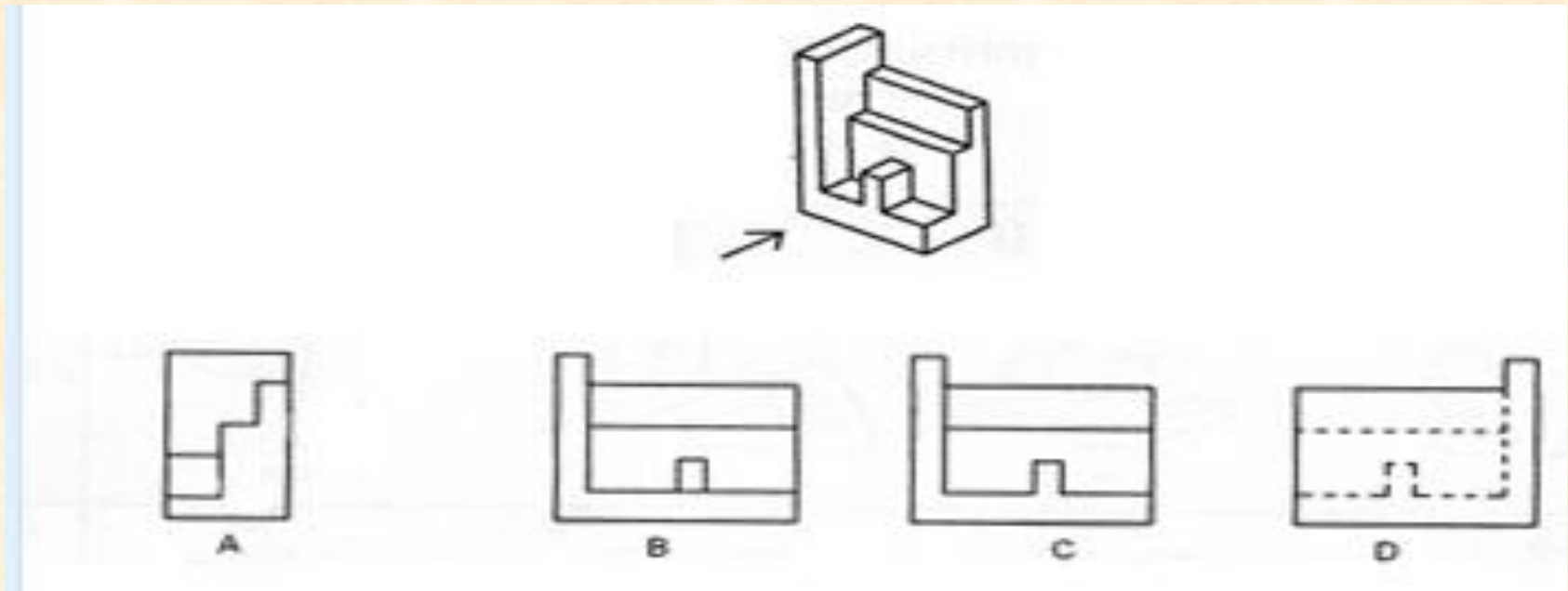
a) A

b) B

c) C

d) D

Q 34.



Identify the elevation as indicated by the arrow.

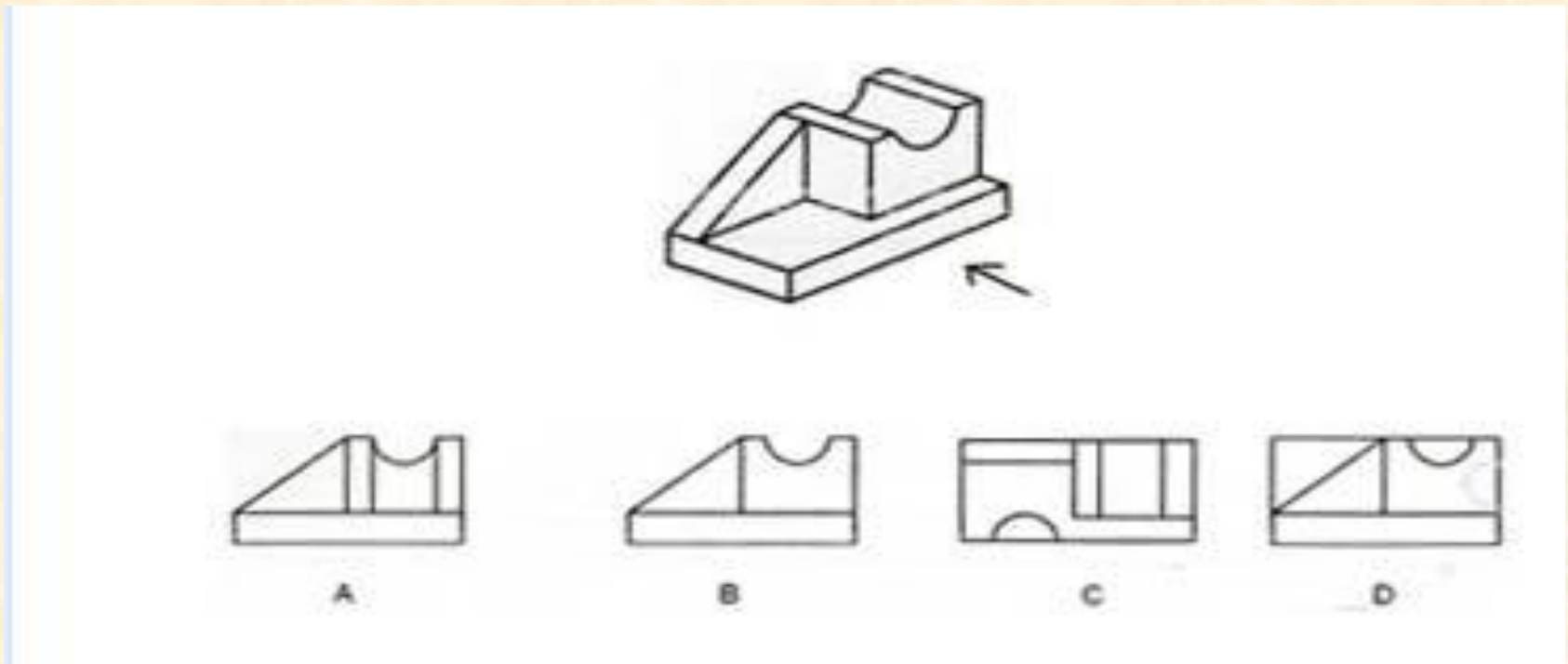
a) A

b) B

c) C

d) D

Q 35.



Identify the elevation show by the arrow.

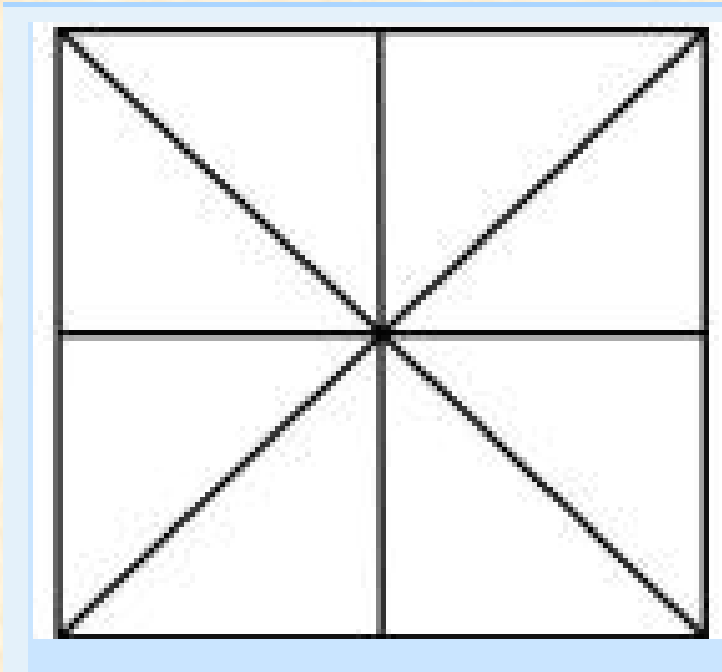
a) A

b) B

c) C

d) D

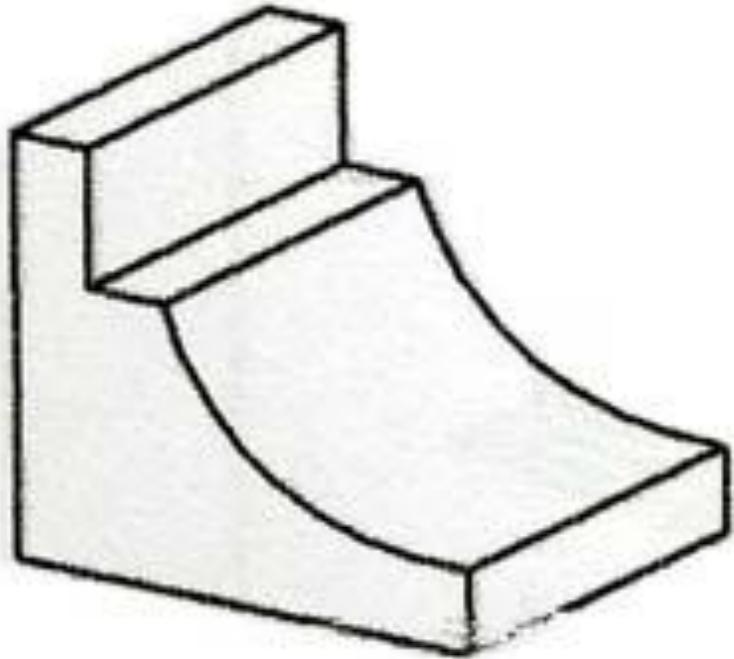
Q 36.



The total number of triangles given in the figure below are:

- a) 12
- b) 15
- c) 16
- d) 18

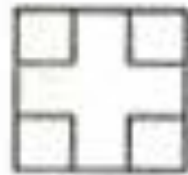
Q 37.



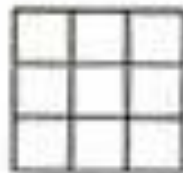
How many surfaces are in the solid object shown below?

- a) 10
- b) 8
- c) 9
- d) 12

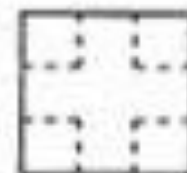
Q 38.



A



B



C



D

Identify the top view (Plan of this object)

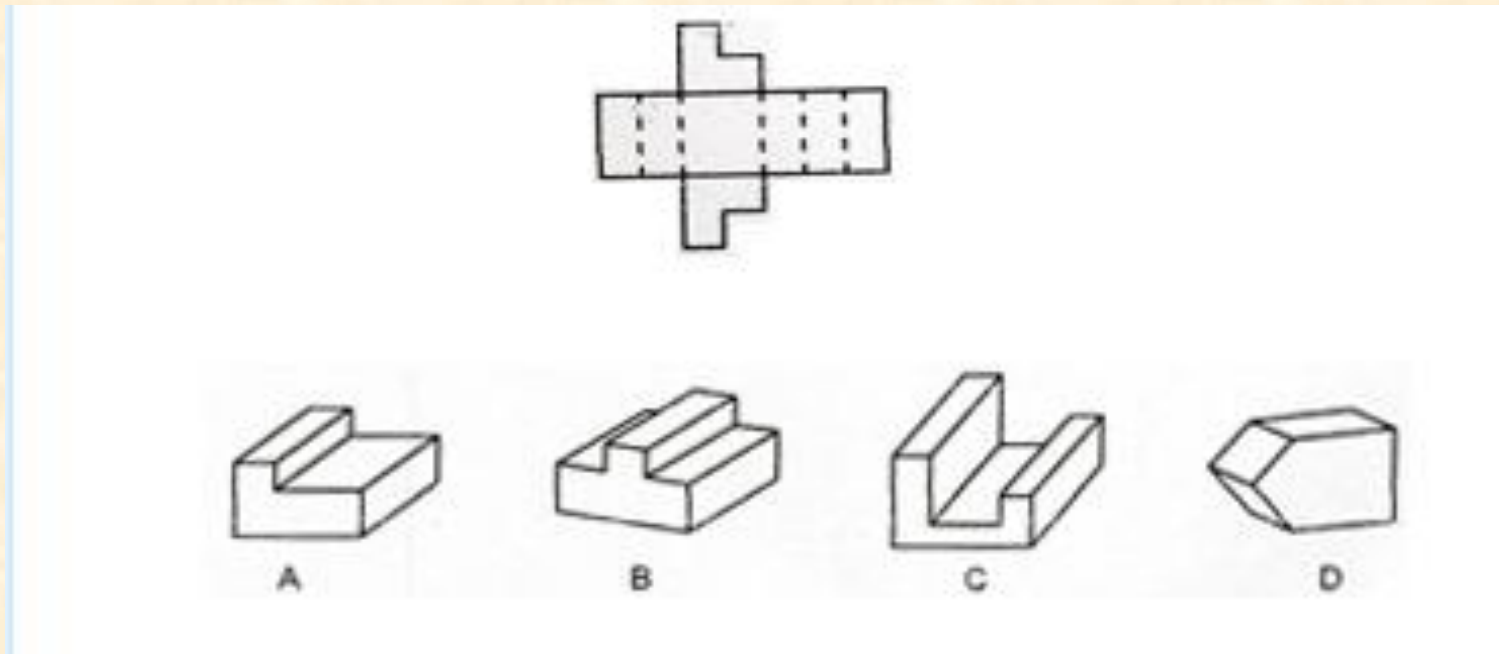
a) A

b) B

c) C

d) D

Q 39.



When folded which object will the development form?

a) A

b) B

c) C

d) D

Q 40.

□ Jantar Mantar was built as a/an

- a) Tomb
- b) Observatory
- c) Shrine
- d) Remembrance

CLICK IMAGE TO GO TO ANSWER SHEET

